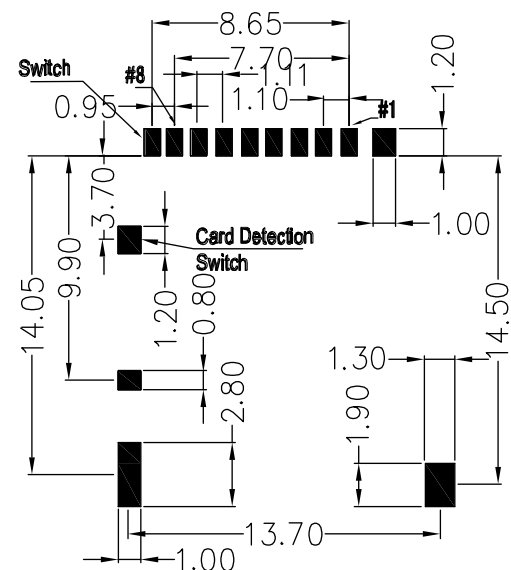
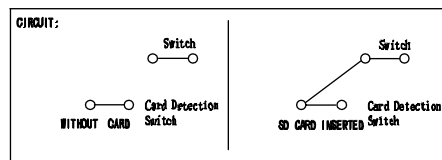
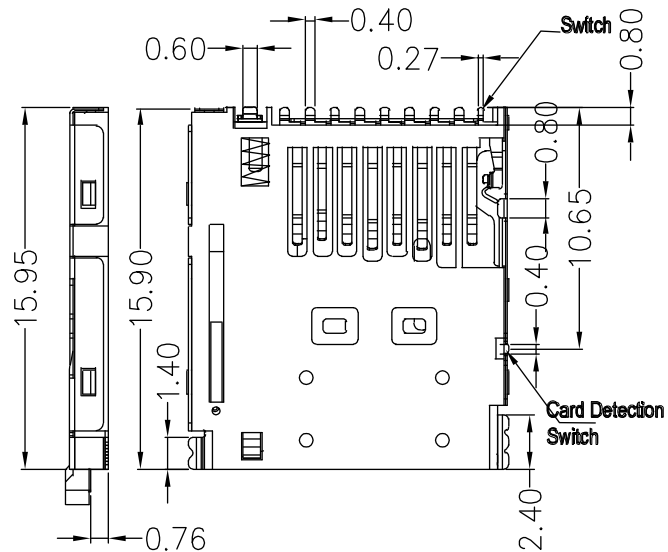
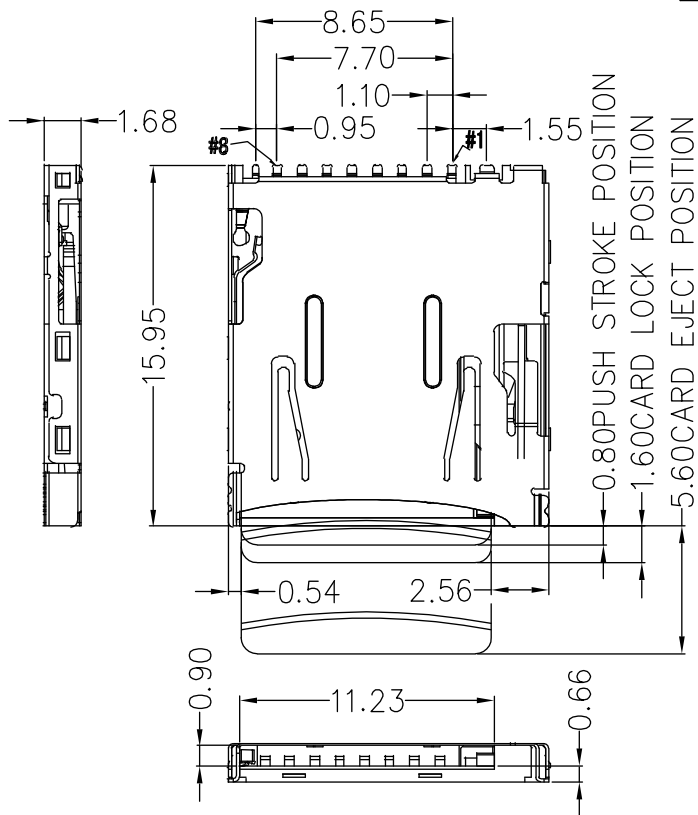
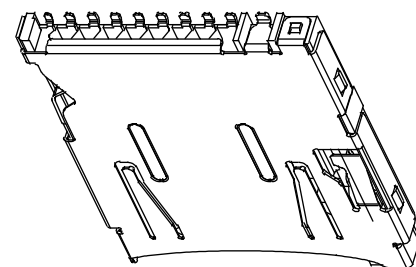


PIN NO.	PIN ASSIGNMENT
1#	DAT2 信号
2#	CD/DAT3 信号
3#	CMD 数据输入
4#	VDD 电压/电源
5#	CLK 时钟
6#	VSS 接地
7#	DAT0 信号
8#	DAT1 信号



PCB AREA
RECOMMENDED PCB LAYOUT
GENERAL TOLERANCE ±0.05

Specification

Electrical:

Current Rating :0.5mA AC/DC max.
Voltage Rating :125V AC/DC
Ambient Temperature Range : -25° C~+85° C
Storage Temperature Range : -25° C~+85° C
Ambient Humidity Range : 95% R.H. Max.
Contact Resistance:100m max.
Insulation Resistance:1000M min./500VDC
Mating Cycles:5,000 Insertions
产品耐温温度: 260° C

MATERIAL:

Insulator: High Temperature Thermoplastic, UL 94V-0.
Contact: Copper Alloy
Shell: sus

PLATING:

Contact: Plated 50u'' Ni All, Over all Au 1u
Shell: Plated 50u'' Ni Overall
Plated 1u''Au Selective Contact Area

UNLESS OTHERWISE SPECIFIED TOLERANCE				东莞市讯普电子科技有限公司
UNIT:	DECIMAL	LINEAR	ANGLES	
mm	X.	±0.50	±5°	
	X.X	±0.25	±3°	
	X.XX	±0.12	±1°	
DRAWN	Fros	2014/12/12	DRAWN NAME:	
CHECKED	Ron	2014/12/12	TF CONNECTOR	
APPROVED	Albert	2014/12/12	PRODUCT NO.	TF-111
SCALE	3.2	SHEET	1/1	SIZE
				A4